

Made 2 Measure
Factory Assemble
No Welding
Pool Balustrade
Material Guide



1.2 m High

1 Determine the Railing Materials you will need to complete your project.
Follow steps A, B

A Measure the area where the railing is to be installed.

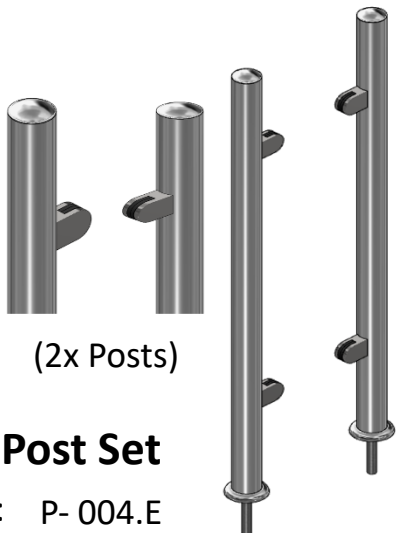
B Determine the Quantity of Posts needed.

C Determine the Quantity of Glass filler's needed.



2 Once you have made your selection, use the item codes below to add the items to your shopping cart.

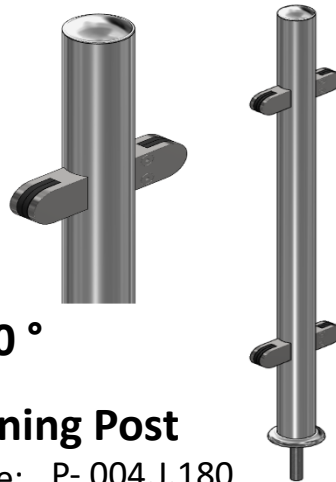
Now select your Pool Railing Posts



(2x Posts)

End Post Set

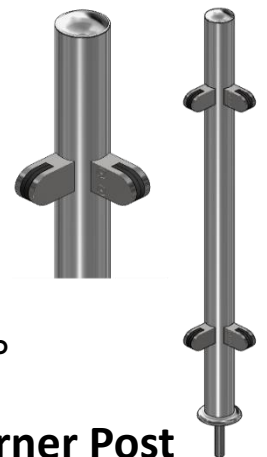
Code: P- 004.E



180 °

Joining Post

Code: P- 004.J.180



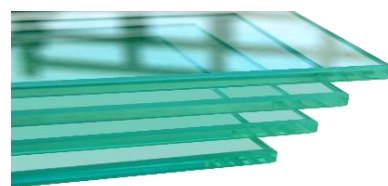
90°

Corner Post

Code: P- 004.C.90

Next, Select your Glass Filler (in-fill)

Filler, Glass (In-fill)

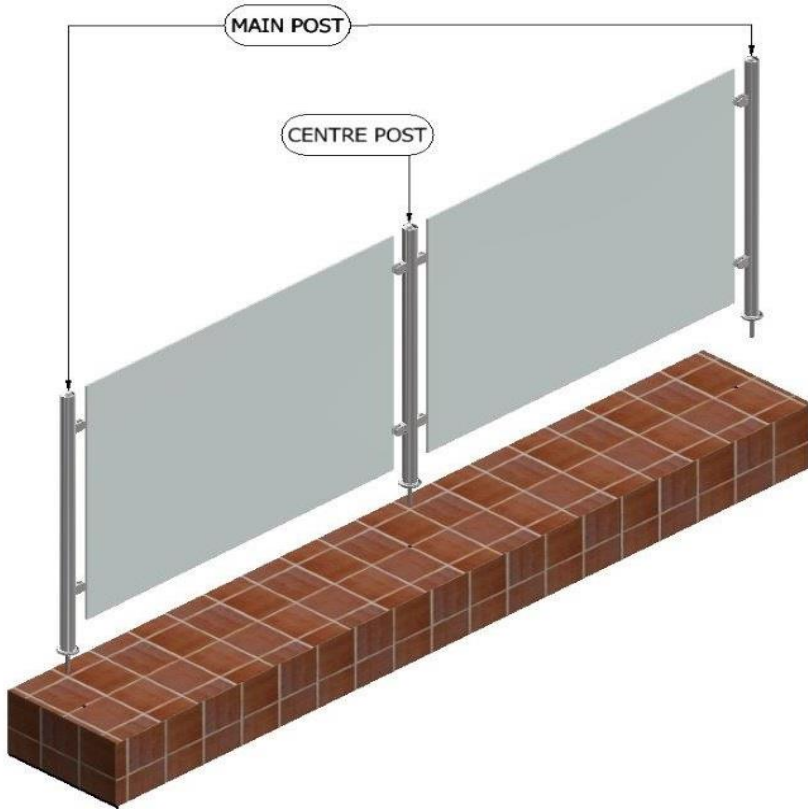


Question?

Give us a call at 012 653 0053 or send us an e-mail at:

help@ezrails.co.za



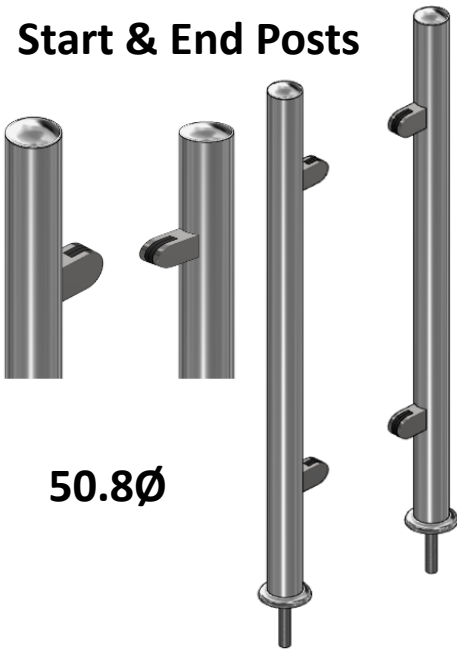


Pool Balustrade Material Guide

1.2 m High

Now select your Pool Railing Posts

Start & End Posts



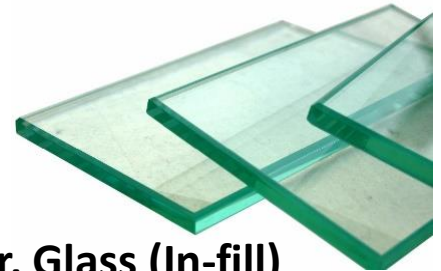
End Post Set
Code: P- 004.E

50.8Ø

Select your Pool Railing Glass



Glass inserts 8,10,12mm



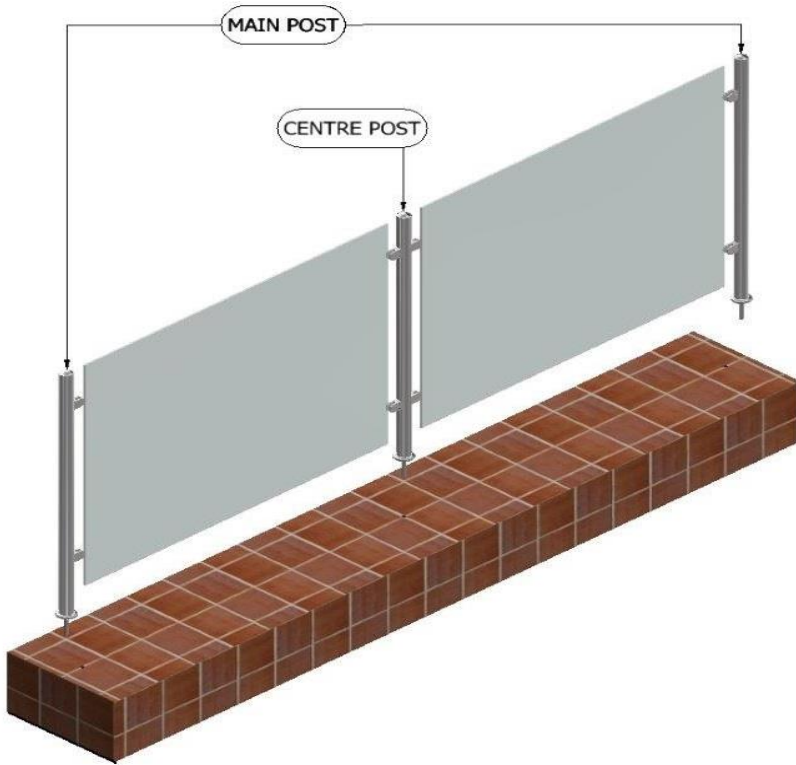
Filler, Glass (In-fill)

Question?

Give us a call at 012 653 0053 or send us an e-mail at:

help@ezrails.co.za





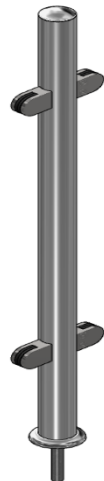
Pool Balustrade Material Guide

1.2 m High

Now select your Pool Railing Posts

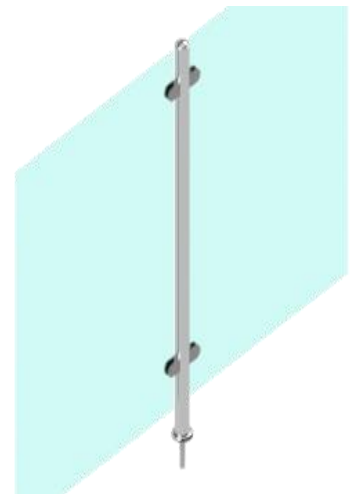


50.8Ø



180° Centre Post

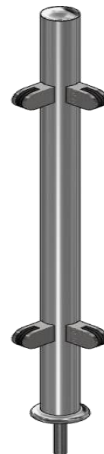
Code: P- 004.J.180



Now select Balcony Railing Posts

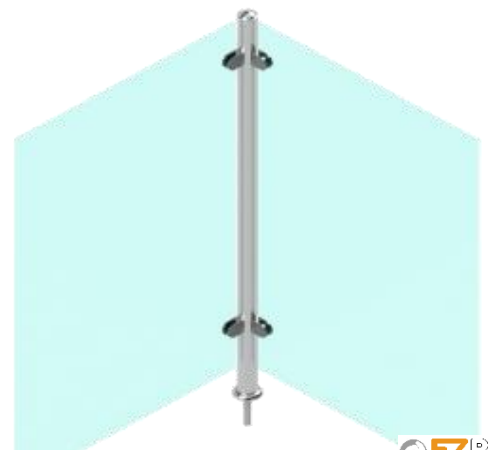


50.8Ø



90° Corner Post

Code: P- 004.C.90



Question?

Give us a call at 012 653 0053 or send us an e-mail at:

help@ezrails.co.za





Pool Balustrade Material Guide 1.2 m High

Select your Post Fix Options

Substrate

- Concrete
- Steel
- Wood
- Composite
- Glass



Substrate

Tread Fixing

Flange Fix

Side Fix

Top Fix

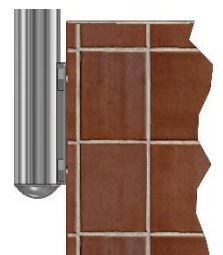
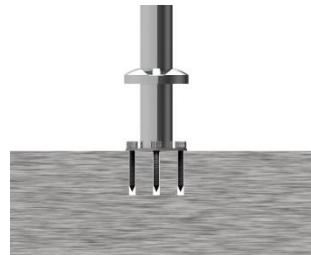
Top Fix



Concrete



Wood



M16/ M12 Stud Post Fixing

Threaded stud supplied separately



Sikadur Epoxy adhesive AP



M12x75

