



1m High Post

Made 2 Measure
Factory Assembled
No Welding Glass
with-out Top Rail
Balustrade

sales@ezrails.co.za

1 Determine the Railing Materials you will need to complete your project.
Follow steps A, B

A Measure the area where the railing is to be installed.

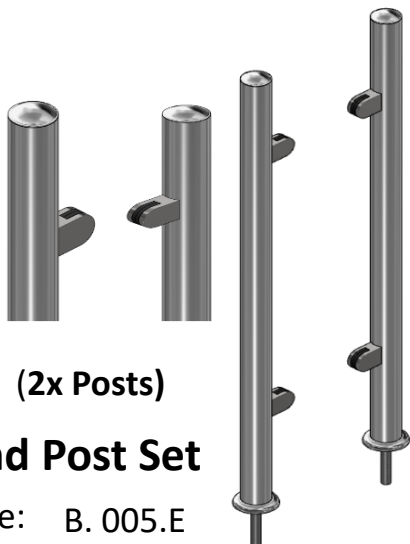
B Determine the Quantity of Posts needed.

C Determine the Quantity of Glass filler's needed.



2 Once you have made your selection, use the item codes below to add the items to your shopping cart.

Now select Balcony Railing Posts



(2x Posts)

End Post Set

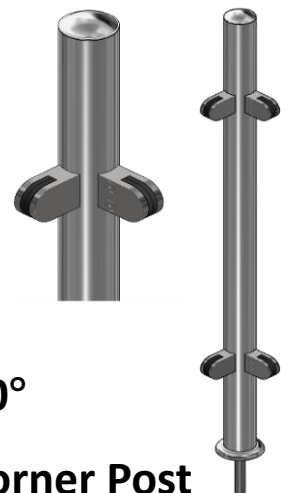
Code: B. 005.E



180°

Joining Post

Code: B.005.J.180



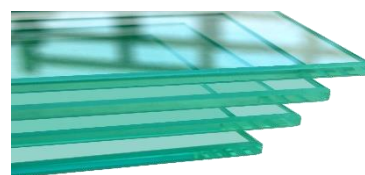
90°

Corner Post

Code: B. 005.C.90

Next, Select your Glass Filler (in-fill)

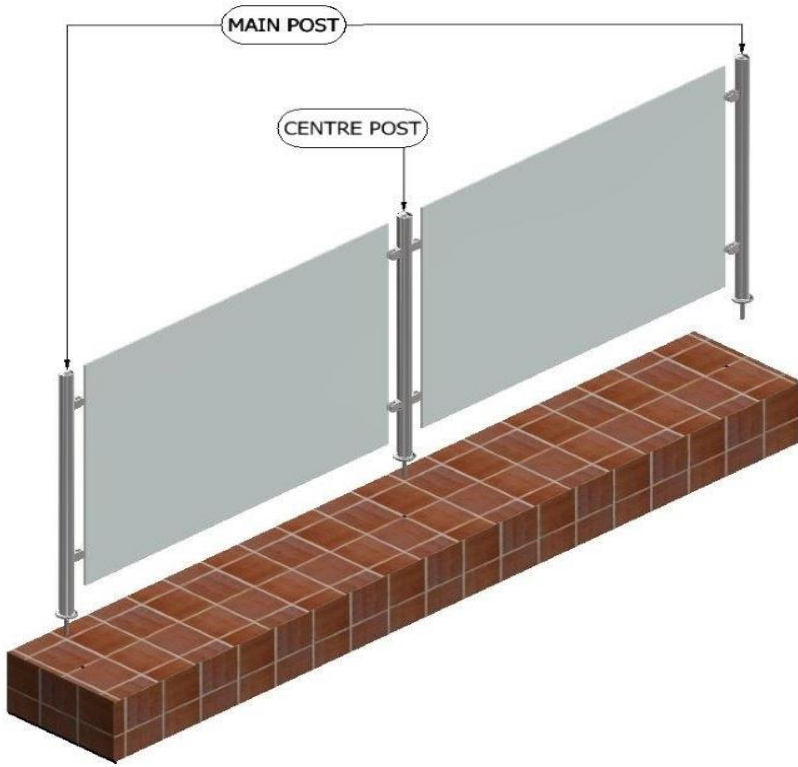
Filler, Glass (In-fill)



Question?

Give us a call at 012 653 0053 or send us an e-mail at:

help@ezrails.co.za

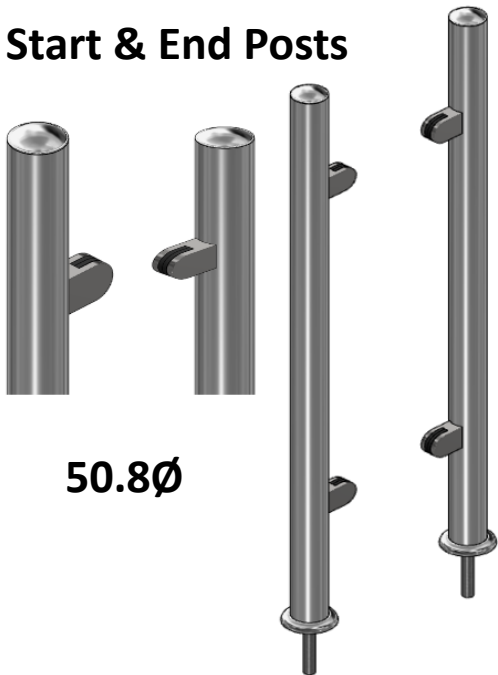


**Made 2 Measure
Factory
Assembled No
Welding Glass
with-out Top Rail
Balustrade
Material Guide**

1m High Post

Now select your Balcony Railing Posts

Start & End Posts



End Post Set

2x Posts

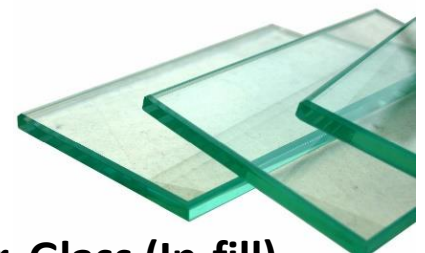
Code: B. 005.E

50.8Ø

Select your Pool Railing Glass



Glass inserts 8mm



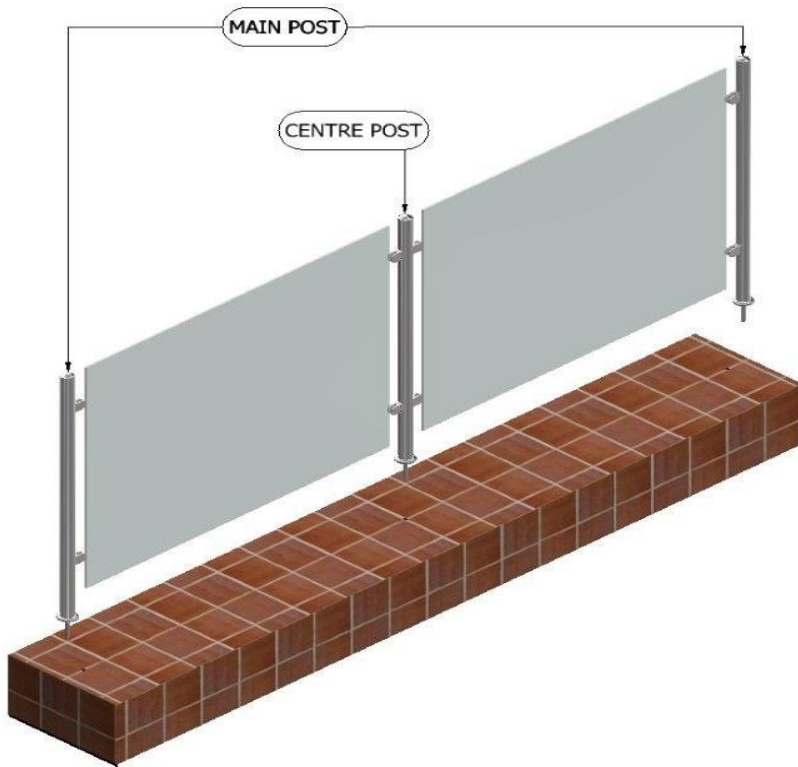
Filler, Glass (In-fill)

Question?

Give us a call at 012 653 0053 or send us an e-mail at:

help@ezrails.co.za



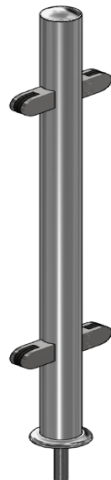


Made 2 Measure
 Factory Assembled
 No Welding
 Glass System
 with-out Top Rail
 Balustrade
 Material Cost

Now select Balcony Railing Posts



50.8Ø



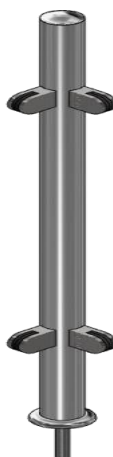
180° Centre Post

Code: B.005.J.180

Now select Balcony Railing Posts



50.8Ø



90° Corner Post

Code: B. 005.C.90

Question?

Give us a call at 012 653 0053 or send us an e-mail at:

help@ezrails.co.za

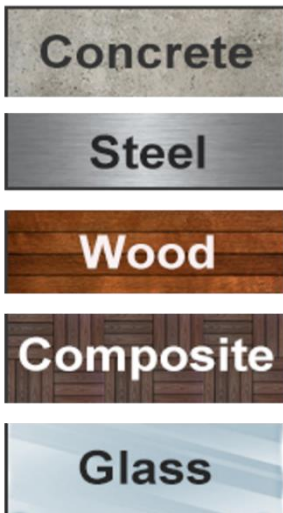




Made 2 Measure
Factory Assembled
No Welding
Glass with-out Top Rail
Balustrade

Select your Post Fix Options

Substrate



Substrate

Tread Fixing

Flange Fix

Side Fix

Top Fix

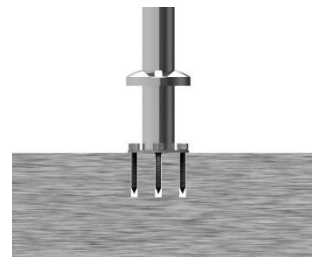
Top Fix



Concrete



Wood



M16/ M12 Stud Post Fixing

Threaded stud supplied separately



Sikadur Epoxy adhesive AP



M12x75

