



Made 2 Measure



The Smart Balustrade Post Kit System

With Smart Assembly Features, saving you time & money

The Company

We present ourselves as a company which has been manufacturing stainless steel accessories for over three decades. We specialise in balustrade & handrails balustrade systems, assisting the balustrading industry, to maintain high standards of quality & safety.

Design, Innovation and Flexibility, The only True Balustrade kit Systems!

A Quick rundown on the easy way of assembly:

- Plant your ready-made posts to the selected position and plant into place with our easy fix method.
- Once in place and planted, cut the top rail to size by cutting by hand, fit the top rail into the post sleeve by inserting the easy fix method. Secure to the post. There is no welding, mitring, nor expensive joints needed.
- Simply twist the tube infill to suit the stair angle you require. No fuss, no hassles. We have the solution.

The design of EZRail balustrade systems, has been designed and patented for the need for products that are functional.

EZRails readymade design innovations, follow the premise that sustainable design means doing the most with the least means.

Our products have been certified by SABS and meet all the safety aspects set for today's designer trends.

Choose your Self Assembled Post Kit from the Easy Post Guide

Horizontal Tube

Glass with Top Rail

Glass without Top Rail

Pool

Cable

Vertical

Handrail Components options



Balustrade Components Self Assembly



sales@ezrails.co.za

1 Once you've made your selection, use the item codes below to add the items to your shopping cart.

Component Options

15.8 In-fill Connector



Middle END

Post Sleeve Connector Kit



Stair 45°

Straight 90°

Top Rail Connector



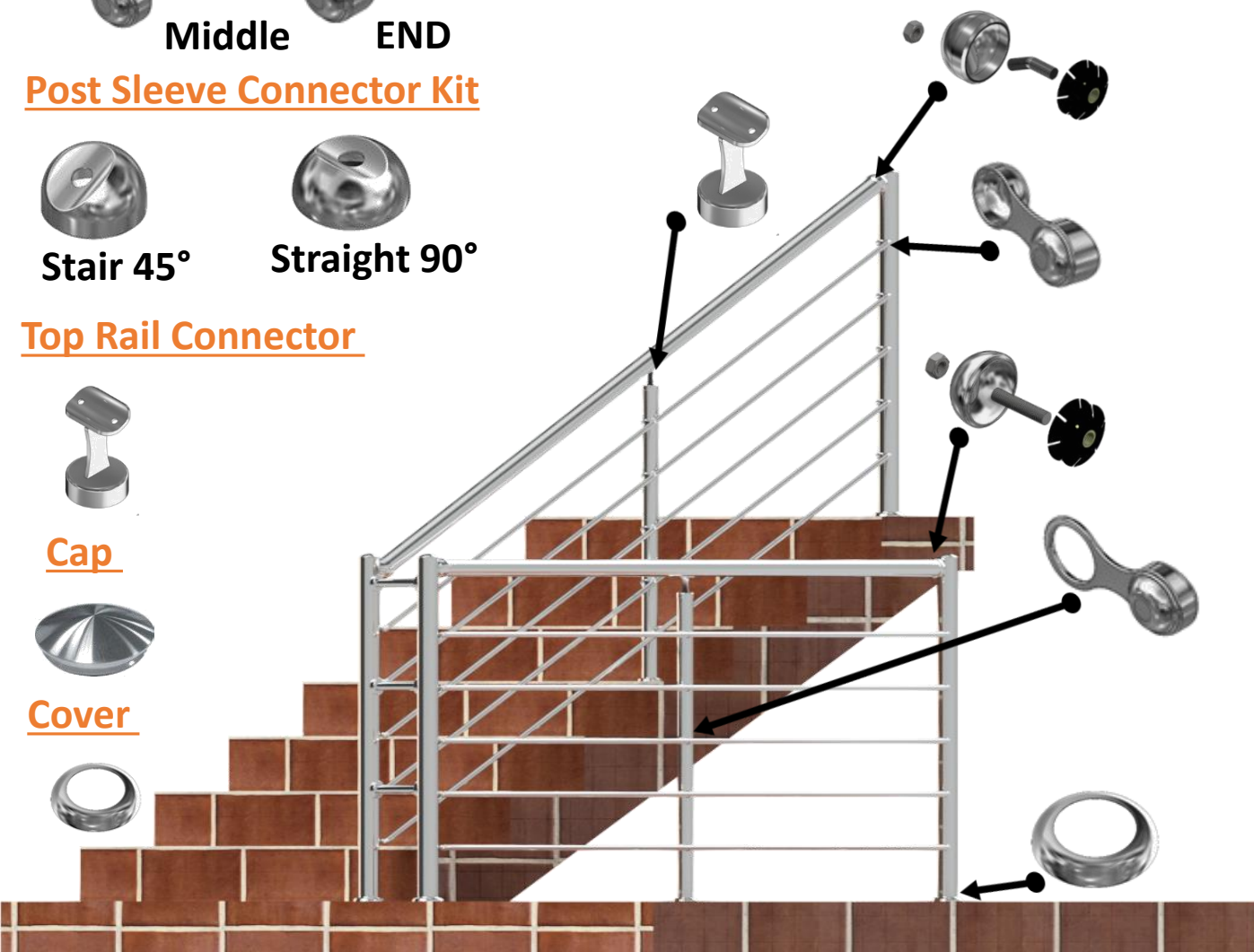
Cap



Cover



How it Works



Make up your Balustrade your-self with easy fitting instructions



Our handrail engineer team can offer technical support on customer design, based on your sample or drawing.

Balustrade Components Self Assembly



sales@ezrails.co.za

1 Once you've made your selection, use the item codes below to add the items to your shopping cart.

PLAIN POSTS



Plain Post 50.8
1m High Post (Top Fix)
Code: PP.508.1.TF.04



Plain Post 38.1
1m High Post (Side Fix)
Code: PP.381.1.SF.04

PLAIN POSTS



Plain Post 38.1
1m High Post (Top Fix)
Code: PP.TRC.381.1.TF.04



Plain Post 38.1
1m High Post (Side Fix)
Code: PP.TRC381.1.SF.04

PLAIN POSTS



Plain Post 50.8
1.2m High Post (Top Fix)
Code: PP.50.8.1.2.TF.04

IN-FILLS OPTIONS

Horizontal Tube

Vertical

Glass

Cable

Pool

Post Supplied with floor fixing Cover, top cap, ad in-fill type From our list.



TECHNICAL SUPPORT ON
CUSTOMER DESIGN

Our handrail engineer team can offer technical support on customer design, based on your sample or drawing.

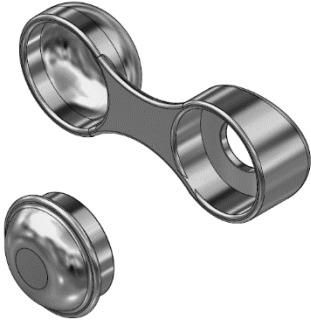
Balustrade Components Self Assembly



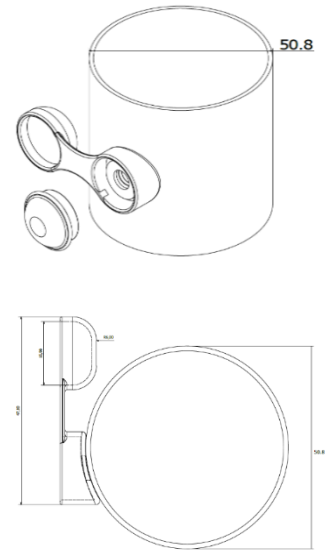
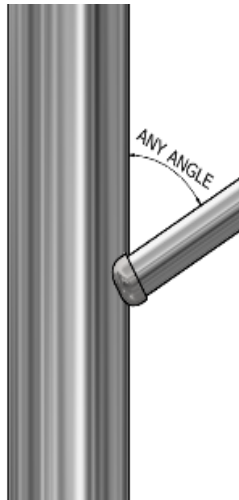
sales@ezrails.co.za

1 Once you've made your selection, use the item codes below to add the items to your shopping cart.

INFILL (Filler) ACCESSORIES



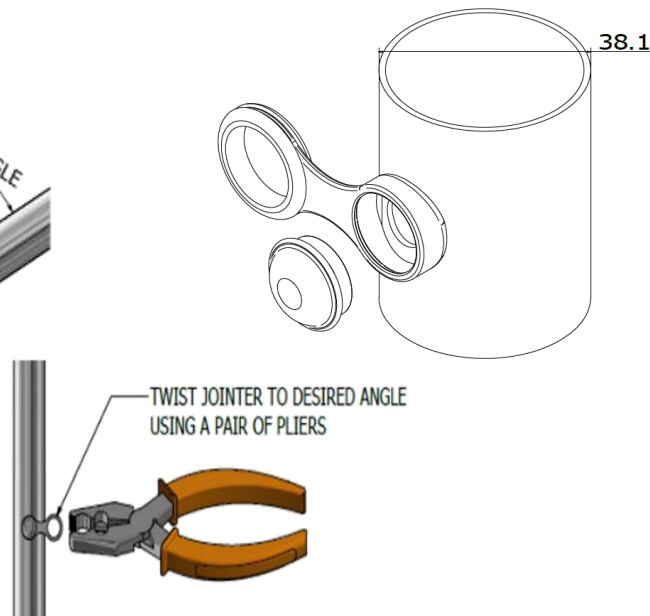
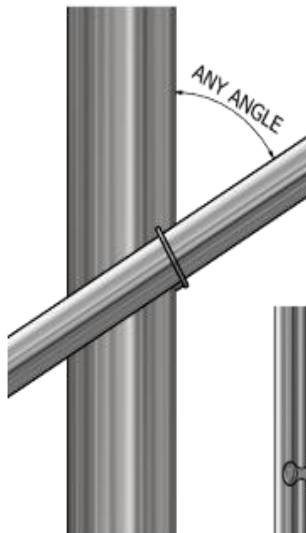
15.8 In-fill End
Connector
Code: J158.04



INFILL (Filler) ACCESSORIES



15.8 In-fill Middle
Connector
Code: MJ158.04





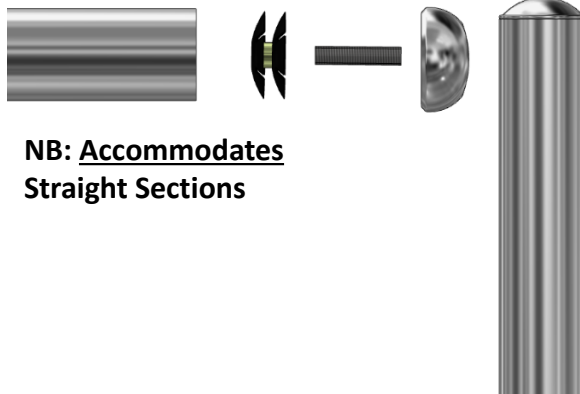
Balustrade Components Self Assembly



sales@ezrails.co.za

1 Once you've made your selection, use the item codes below to add the items to your shopping cart.

Top Rail Sleeve Connector ACCESSORIES



NB: Accommodates Straight Sections



**Straight Top Rail
Sleeve Connector Kit
Code: SCK.90.04**

**Straight Top Rail
Sleeve Connector
Code: SC.90.04**

Top Rail Sleeve Connector ACCESSORIES



NB: Accommodates Any Stair Angle



**Stair Top Rail
Sleeve Connector Kit
Code: SCK.45.04**

**Stair Top Rail
Sleeve Connector
Code: SC.45.04**



TECHNICAL SUPPORT ON
CUSTOMER DESIGN

Our handrail engineer team can offer technical support on customer design, based on your sample or drawing.

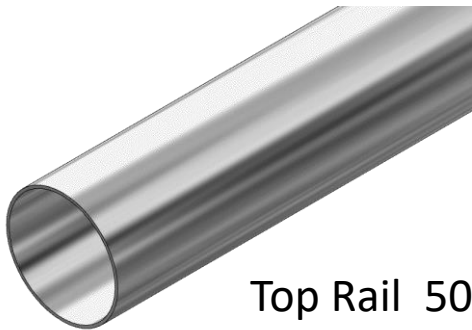
Balustrade Components



sales@ezrails.co.za

1 Once you've made your selection, use the item codes below to add the items to your shopping cart.

Top Railing

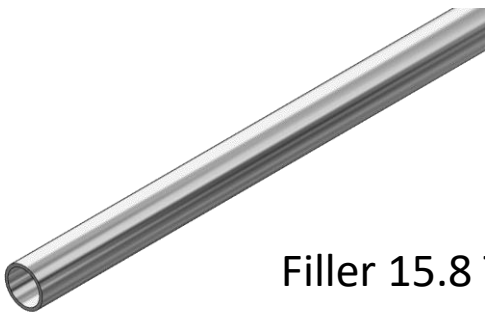


Top Rail 50.8 Tube
Code: 6M.50.8



Top Rail \varnothing 50,8 Meranti
Code: 3.6m.50.M

Horizontal Tube Filler (in-fill)



Filler 15.8 Tube (In-fill)
Code 6m.15.8

Cable Filler (In-Fill)



Filler 4mm Cable (In-Fill)
Code: C.4mm



Balustrade Components Self Assembly



sales@ezrails.co.za

1 Once you've made your selection, use the item codes below to add the items to your shopping cart.

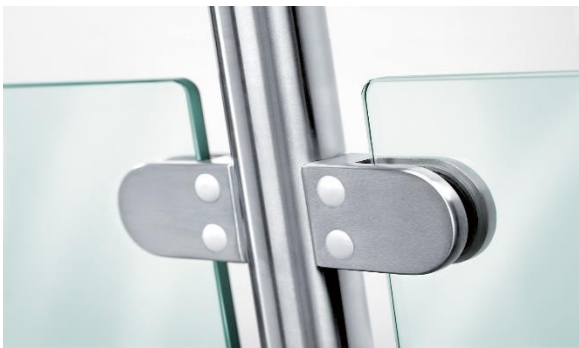
Glass Clamps 8MM



**Glass Clamps 38.1
Radius
Code: GC.381.04.8**

**Glass Clamps 50.8
Radius
Code: GC.381.04.8**

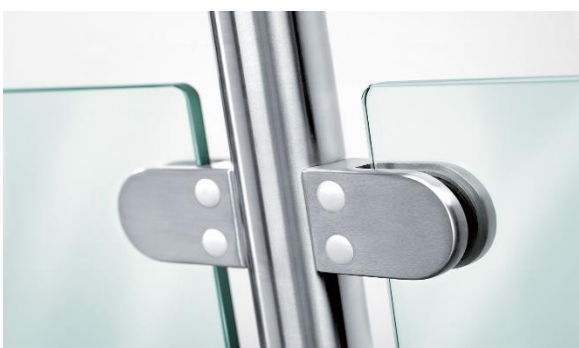
Glass Clamps 10MM



**Glass Clamps 38.1
Radius
Code: GC.381.04.10**

**Glass Clamps 50.8
Radius
Code: GC.381.04.10**

Glass Clamps 12MM



**Glass Clamps 38.1
Radius
Code: GC.381.04.12**

**Glass Clamps 50.8
Radius
Code: GC.381.04.12**



TECHNICAL SUPPORT ON
CUSTOMER DESIGN

Our handrail engineer team can offer technical support on customer design, based on your sample or drawing.

Balustrade Components Self Assembly



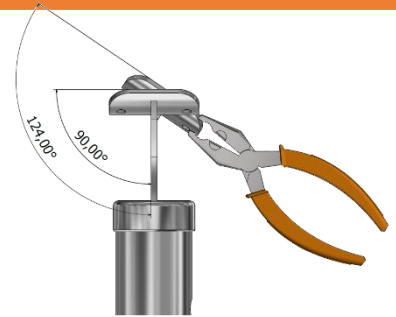
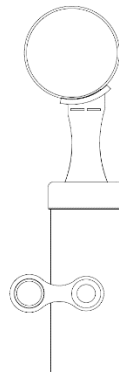
sales@ezrails.co.za

1 Once you've made your selection, use the item codes below to add the items to your shopping cart.

38.1 Top Rail Connector for Round



38.1 Top Rail Connector Round (OFF SET)
Code: TRC.381.T.04

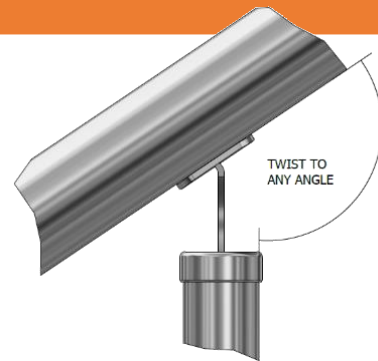
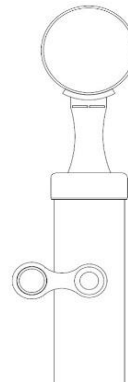


Self adjustable to suit any stair Angle

38.1 Top Rail Connector for Flat



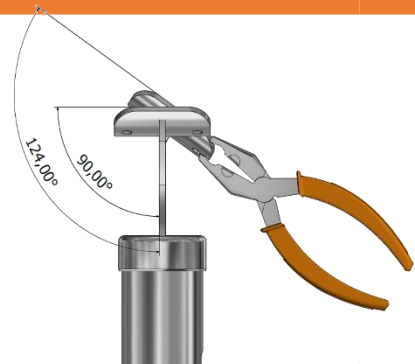
38.1 Top Rail Connector Round (CENTER)
Code: TRC.381.G.C.04



Self adjustable to suit any stair Angle



38.1 Top Rail Connector Flat
Code: TRC.381.F.04



Self adjustable to suit any stair Angle



Our handrail engineer team can offer technical support on customer design, based on your sample or drawing.

Balustrade Components



sales@ezrails.co.za

1 Once you've made your selection, use the item codes below to add the items to your shopping cart.

4mm 7x19 Strand Stainless Cable



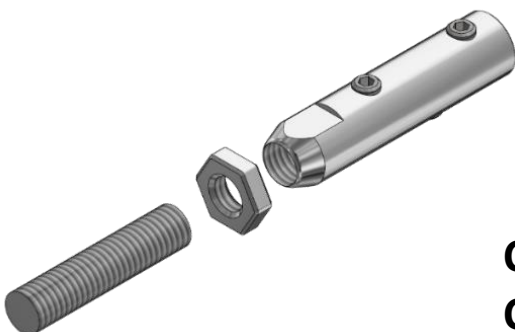
4mm 7x19 Strand Stainless
Code: C.4mm

4mm Cable Fitting



Cable Fitting Body
Code: CF.4.04

4mm Cable Fitting Kit



Cable Fitting + M8x36mm Thread & Nut
Code:CF.1.4.04



**TECHNICAL SUPPORT ON
CUSTOMER DESIGN**

Our handrail engineer team can offer technical support on customer design, based on your sample or drawing.

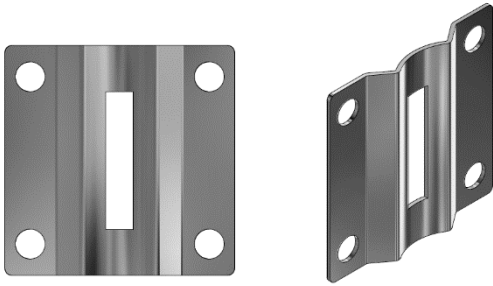
Balustrade Components Self Assembly



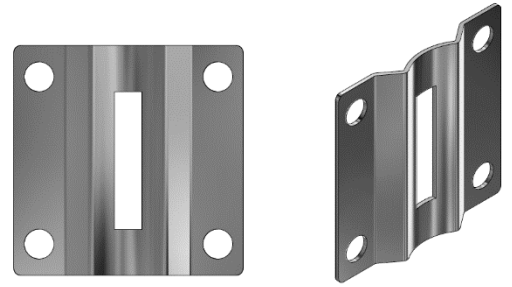
sales@ezrails.co.za

1 Once you've made your selection, use the item codes below to add the items to your shopping cart.

Side Fix Brackets



50.8 Post Side Fixing Bracket
Code: SBR.508.180



38.1 Post Side Fixing Bracket
Code: SBR.381.180

Coach Screw

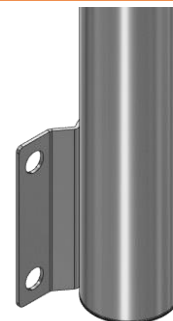
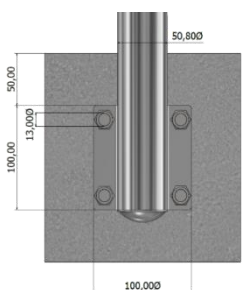


M10X75 Coach Screw
Code:



M12 Plug
Code:

Side Fix Detail





Balustrade Components Self Assembly



sales@ezrails.co.za

1 Once you've made your selection, use the item codes below to add the items to your shopping cart.

Post Ball Top



Ball Top
Code: B508.04

End Caps



End Caps 50.8
Code: EC.508.04

End Caps 38.1
Code: EC.381.04

End Caps 15.8
Code: EC158.04

Cover Flange



50.8 Cover Flange
Code:L508.04



38.1 Cover Flange
Code:L381.04

EZ Post Level



EZ Post Level
Code: PL.01



Our handrail engineer team can offer technical support on customer design, based on your sample or drawing.

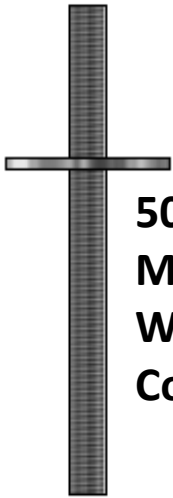
Balustrade Components Self Assembly



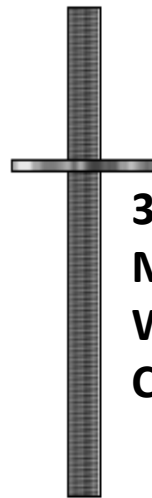
sales@ezrails.co.za

1 Once you've made your selection, use the item codes below to add the items to your shopping cart.

Post Fix Mounting Kit



50.8 Post Fix Kit
M16 X 150MM Thread Rod
With Disc
Code:TFD.508.150

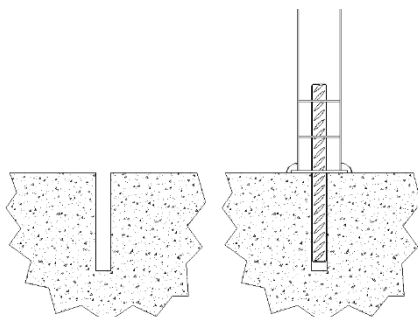


38.1 Post Fix Kit
M12 X 150MM Thread Rod
With Disc
Code:TFD.381.150

Post Fix Options

Substrate

- Concrete
- Steel
- Wood
- Composite
- Glass





Our handrail engineer team can offer technical support on customer design, based on your sample or drawing.

Balustrade Components



sales@ezrails.co.za

1 Once you've made your selection, use the item codes below to add the items to your shopping cart.

Frameless Glass Spigot Bracket



Glass Spigot Frameless Bracket 12mm

Code: FG.508.S.CD.04

Code: FG.508.S.PF.04



Glass Spigot Frameless Bracket 15mm

Code: FG.15mm.S.O4





TECHNICAL SUPPORT ON
CUSTOMER DESIGN

Our handrail engineer team can offer technical support on customer design, based on your sample or drawing.

Balustrade Components



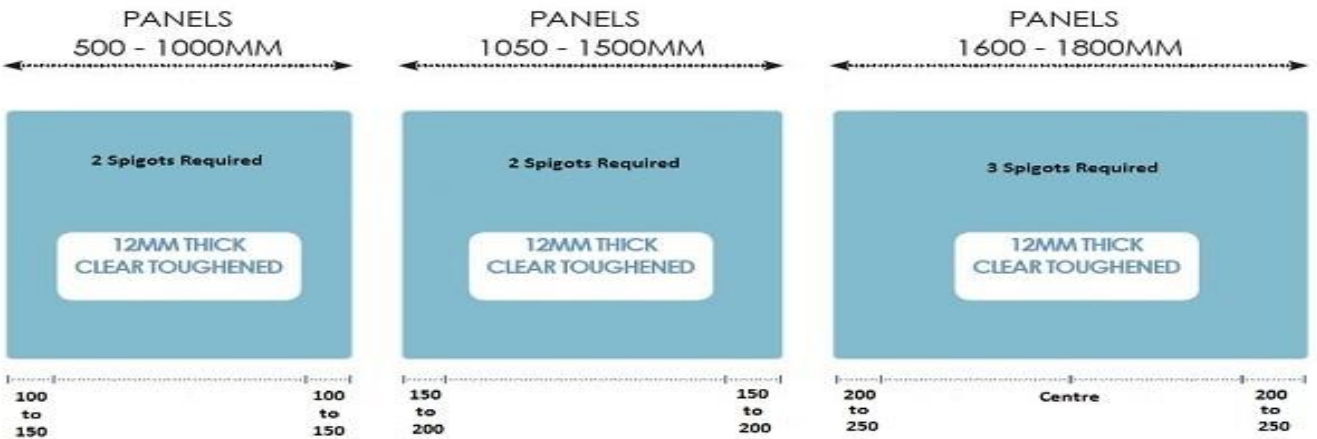
sales@ezrails.co.za

1 Once you've made your selection, use the item codes below to add the items to your shopping cart.

Frameless Glass Spigot Bracket

NO HOLE 12MM TOUGHENED

SPIGOT PLACEMENT SPECIFICATIONS = TO CENTRE OF SPIGOT



i **Fixing Options**
Core Drill
Thread Fix

Thickness
12mm or
15mm



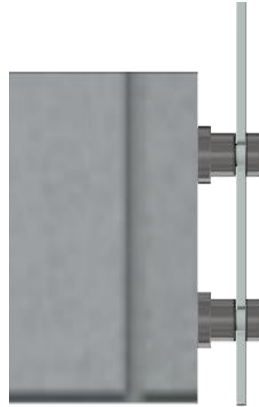
Balustrade Components



sales@ezrails.co.za

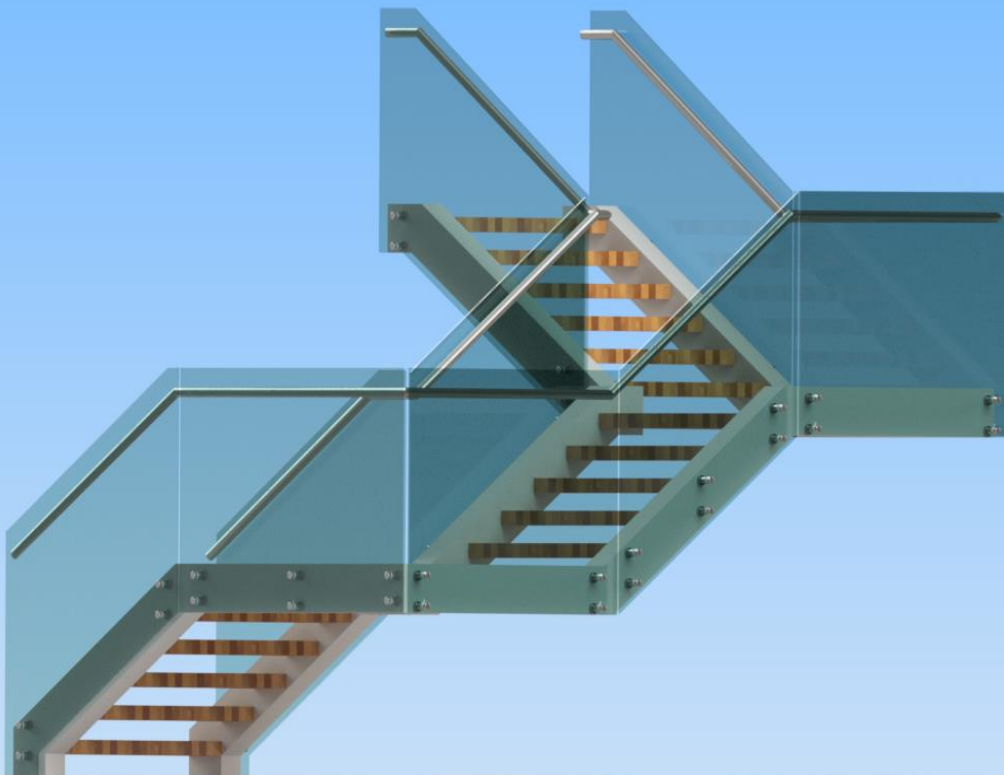
1 Once you've made your selection, use the item codes below to add the items to your shopping cart.

Glass Stand off Brackets



OPTION
38.1
50.8

Glass Stand Off Bracket
Code: FG.381.SOB.04
Code: FG.508.SOB.04





TECHNICAL SUPPORT ON
CUSTOMER DESIGN

Our handrail engineer team can offer technical support on customer design, based on your sample or drawing.

Balustrade Components



sales@ezrails.co.za

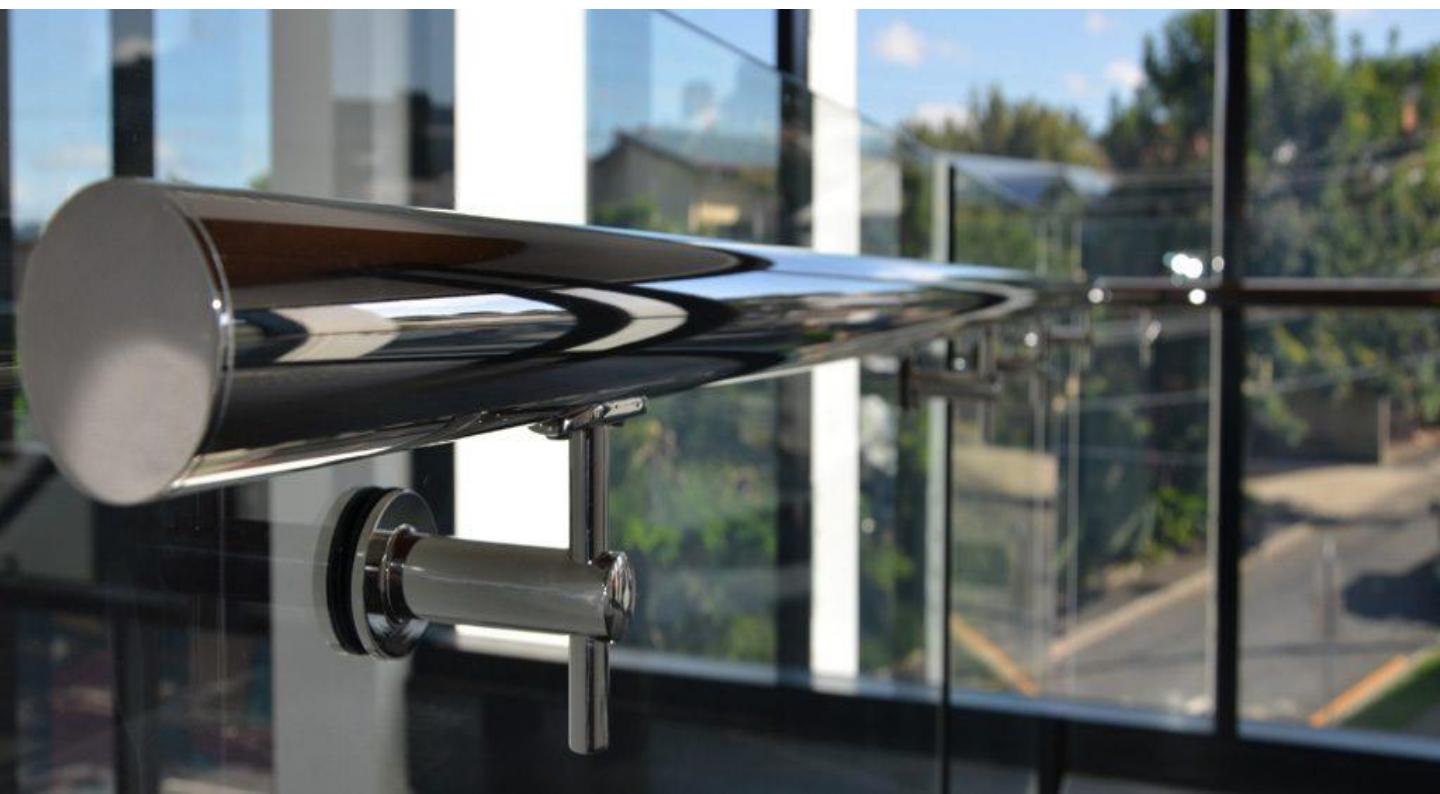
1 Once you've made your selection, use the item codes below to add the items to your shopping cart.

Glass Side Mount Frameless Handrail Bracket



**Glass Side Mount Handrail Bracket –Radius
Code: FG.508.SM.04**

Glass Stand off Brackets



Balustrade Components



TECHNICAL SUPPORT ON
CUSTOMER DESIGN

Our handrail engineer team can offer technical support on customer design, based on your sample or drawing.



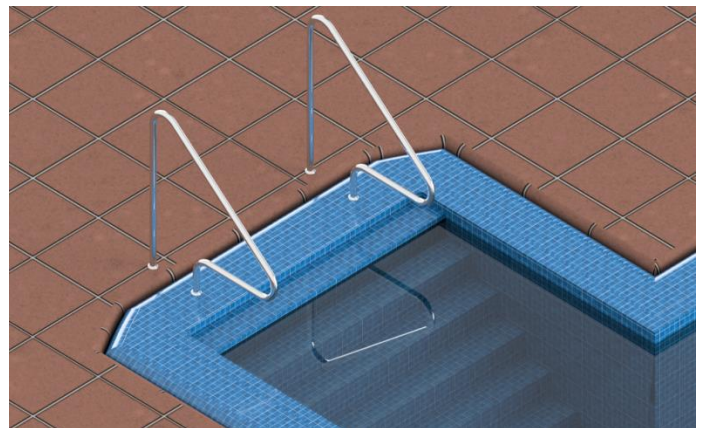
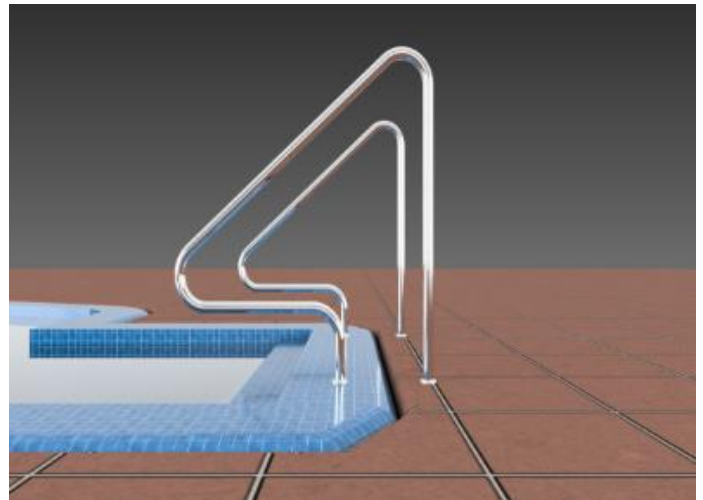
sales@ezrails.co.za

1 Once you've made your selection, use the item codes below to add the items to your shopping cart.

Pool Handrail



Pool Handrail
Code: P.008.381.04



Floating Stair Treads



TECHNICAL SUPPORT ON
CUSTOMER DESIGN

Our handrail engineer team can offer technical support on customer design, based on your sample or drawing.

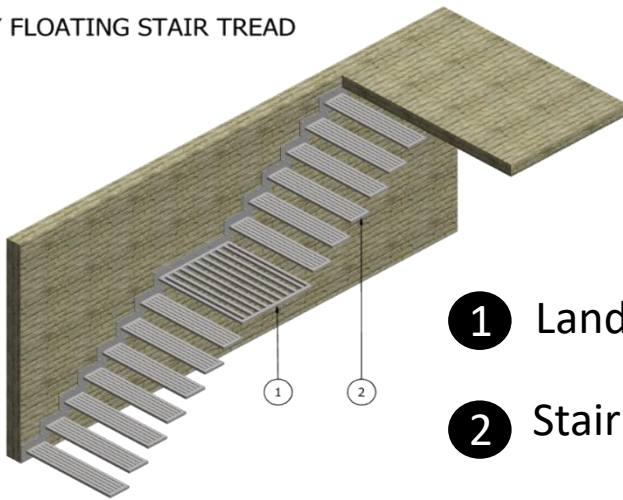


sales@ezrails.co.za

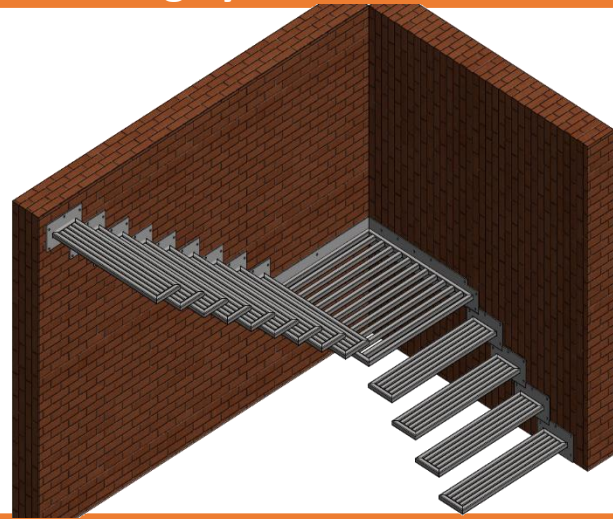
- 1 Once you've made your selection, use the item codes below to add the items to your shopping cart.

Floating Stair Tread & Landing System

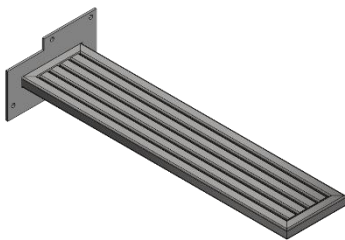
DIY FLOATING STAIR TREAD



- 1 Landing
- 2 Stair Tread



Stair Tread



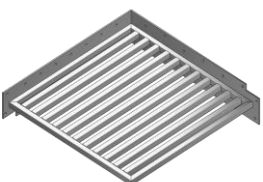
Stair Tread
Code: T.MS

Tread Landing



Tread Landing
Code: T.180.MS

Tread Corner Landing



Tread Corner Landing
Code: T.90.MS



**TECHNICAL SUPPORT ON
CUSTOMER DESIGN**

Our handrail engineer team can offer technical support on customer design, based on your sample or drawing.

Balustrade Components



sales@ezrails.co.za

1 Once you've made your selection, use the item codes below to add the items to your shopping cart.

Epoxy



1L Sika Epoxy A+B
Code:

5L Sika Epoxy A+B



300ML Sika Anchor fix
Code: Sika 300ml

PRODUCT DATA SHEET

Sikadur®-AP

All Purpose Epoxy Adhesive Paste

USE

- General bonding and patching of Brick, concrete, wood, asbestos, ceramics,metal.

CHARACTERISTICS AND ADVANTAGES

- Easy to mix and apply.
- Components of different colours to ensure thorough mixing.
- Convenient 1 to 1 mix.
- Excellent adhesion.
- Can be applied to damp surfaces.
- Ideal for vertical and overhead applications.
- High abrasion resistance.
- Can be smoothed off with water.

COLOUR

Part A: White Part B: Light brown Part A+ B mixed: Beige



TECHNICAL SUPPORT ON
CUSTOMER DESIGN

Our handrail engineer team can offer technical support on customer design, based on your sample or drawing.

Balustrade Components



sales@ezrails.co.za

1 Once you've made your selection, use the item codes below to add the items to your shopping cart.

Core Drill



Core Drill Machine (Wet Type)
CSN.6A.160

Core Drill Machine (Wet Type)
CSN.4A.105

Core Drill Barrel



42MM Core Drill Barrel
Code: CBC.42.400

55MM Core Drill Barrel
Code: CBC.55.400

SDS Drill Bit



20MM SDS Drill Bit
Code: SDS.20.150



Contact Us



EZ Rails®

sales@ezrails.co.za • www.ezrails.co.za



Head Office

1006 Ergon Road, 11 Keymax Park, Lyttelton Manor,
South Africa

Tel: 012 653 0053 help@ezrails.co.za

EZRAILS SOUTH AFRICA: Johannesburg, Cape Town, Durban,
Bloemfontein, Port Elizabeth, Polokwane, Nelspruit,

Full Service also offered in:

Zimbabwe, Botswana, Zambia, Mozambique, Namibia, Mauritius,

EZ Rails®